

N8250Z-H2

Intel®第六代 酷睿 i5处理器
全铝合金风扇散热整机

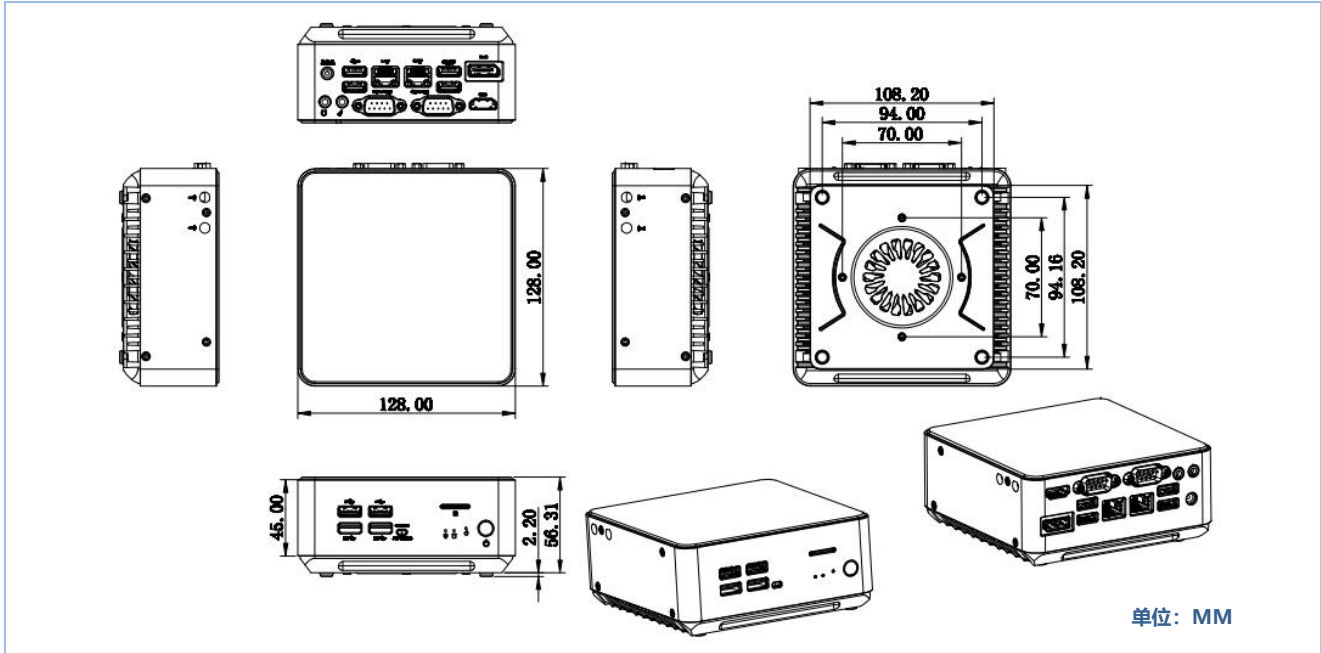


Product characteristics

- Intel® i5-6200U/2.3GHz dual-core quad-thread processor
- 1*SODIMM DDR4 2133MHz memory, up to 16GB
- 1*HD OUTPUT2.0 and 1*HD OUTPUT1.4, support 4K/60Hz
- 2*Intel I211 Gigabit network adapter, support network wake up, PXE functions
- 2*RS232/485 DB9 serial port
- 4*USB3.0, 4*USB2.0, support 1* SIM card slot
- DC 12V power input
- Fan cooling structure, all aluminum alloy material,

Model number	N8250Z-H2 V1.0(6200U)	
chassis	Material/Structur	Full aluminum alloy, fan cooling structure
	colour	Iron gray
	Dimensions	128 * 128 * 56.31 MM
	Weight (bare	1.55 KG
	Install	Desktop/wall-mounted
Main board	CPU	Integrated Intel® i5-6200U/2.3GHz dual-core quad-thread processor, TDP 15W
	reveal	Integrated Intel® HD Graphics 520 supports DirectX 12 OpenGL 4.5 and supports
	Internal memory	1 * DDR4 SODIMM slot, supporting 2133MHz memory and a maximum of 16GB
Front panel interface	POWER	1* power switch, 1* reset switch, 1*ACLOSS (power on switch)
	USB	2 * USB2.0, 2 * USB3.0
	SIM	1*SIM standard card slot,3G/4G module application
Rear panel interface	Display interface	1*HD OUTPUT2.0 (4096x2304@60Hz), 1* HD OUTPUT1.4 (4096x2304@24Hz)
	LAN	2*Intel I211 Gigabit electrical port, support network wake up, PXE functions
	USB	2 * USB2.0, 2 * USB3.0
	COM	2*RS232/485 DB9 serial port, support 9pin live function
	Audio frequency	1*Line out, 1*MIC
	Power source	1*DC 12V power input
store	SATA	1 x 2.5-inch hard disk
	M.2	1*M.2 slot, supporting M.2 2280 NVME PCIe4/SATA adaptive
extend	Mini PCIE	1 x Mini-PCIE slot, supporting 4G modules
	M.2	1*M.2 slot, support WIFI module
System support	Windows	Windows 7/10
	Linux	Ubuntu
	Watch Dog	Support hardware reset function (256 level, 0~255 seconds)
Power demand	Power supply	External power adapter
	Voltage input	DC 12V
	Power output	90W or more (depending on the device)
environment	Operating	-10°C to 50°C
	Storage	-20°C to 70°C
	Relative humidity	5%-95% relative humidity, no condensation
	Working vibration	0.5g rms/5-500HZ/random/operating

N8250Z-H2尺寸图



前面板I/O视图



后面板I/O视图



订货信息

No.	Model	Processor	Motherboard	IO Board	Memory	LAN	COM	HD OUTPUT	USB2.0	USB3.0	SIM	power
1	N8250Z-H2 V1.0(6200U)	i5-6200U/2.3GHz	N62-I522H	N81-HD	1*SODDR4	2	2	2	4	4	1	DC 12V
2	N8250Z-H2 V1.0(8265U)	i5-8265U/1.6GHz	N81-I522H	N81-HD	2*SODDR4	2	2	2	4	4	1	DC 12V
3	N8250Z-H2 V1.1(8265U)	i5-8265U/1.6GHz	N10-I522H	N81-HD	2*SODDR4	2	2	2	4	4	1	DC 12V
4	N8250Z-H2 V1.0(8260U)	i5-8260U/1.6GHz	N101-I522H	N81-HD	2*SODDR4	2	2	2	4	4	1	DC 12V