

# N8250Z-HD

Intel®Celeron 5205U  
Fan Cooling Nano Mini PC



## Features

- Integrated 10<sup>th</sup> Generation Intel®Celeron 5205U 1.9GHz dual core 2-thread processor.
- 2\*DDR4 SODIMM RAM slot,2666MHz,max up to 64GB
- Dual 4K/60Hz display, 1\*HD OUTPUT, 1\*DP
- 2\* RTL8111H Gigabit Ethernet, support WOL / PXE
- 2\* RS232 DB9 COM port, support RS485/232 switchable, the 9<sup>th</sup> pin charged function
- 8\*USB port, 1\* SIM slot
- DC 12V power input
- Fan cooling structure, full aluminum case

## Specification

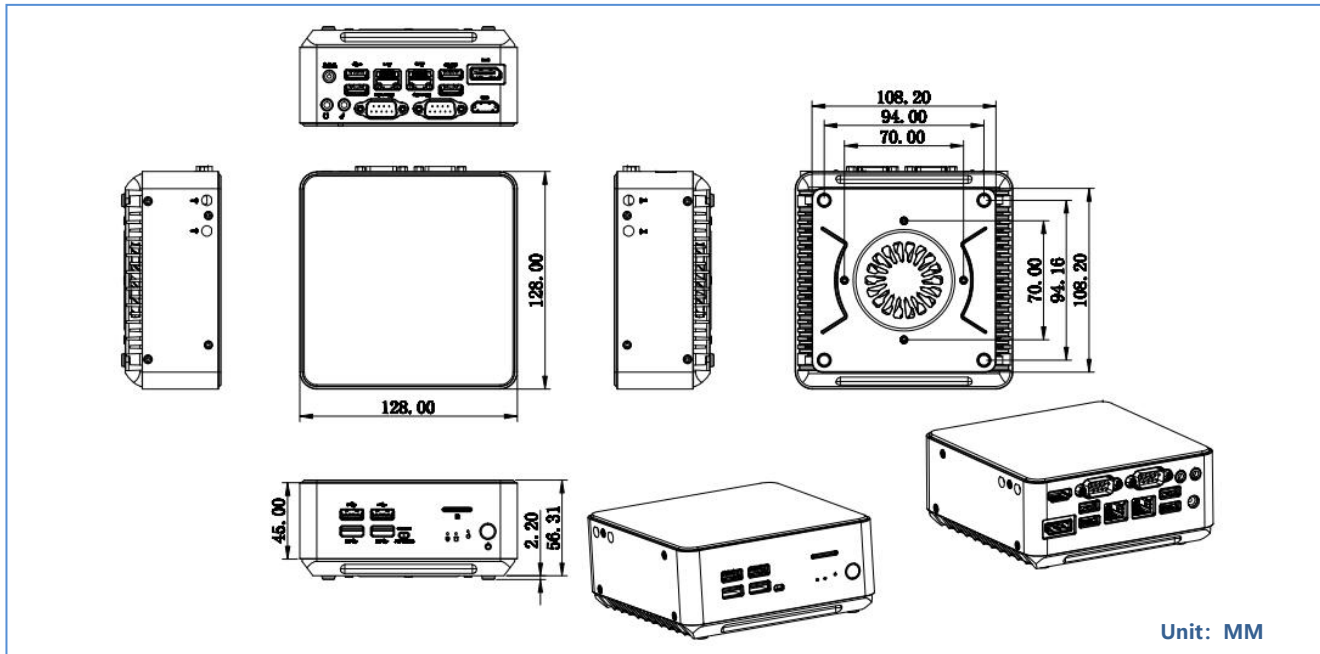
Model No.	N8250Z-HD V1.0(5205U)	
Case	Material/Structure	Full aluminum case, fan cooling
	Color	Iron gray
	Dimension(L*W*H)	128*128*56.3MM
	Weight(Net)	1.55KG
	Installation	Desktop/Wall-mounted
Motherboard	CPU	Integrated 10 <sup>th</sup> Generation Intel®I5-10210U 1.6GHz quad core 8-thread processor,TDP 15W
	Chipset	SOC
	Display	Intel® UHD Graphics ,support DirectX 12 OpenGL 4.5, 4K/60Hz
	RAM	2*DDR4 SODIMM RAM slot,2666MHz,max up to 64GB
Front I/O Port	POWER	1*Power Switch, 1*Reset Switch
	AC LOSS	1*AC LOSS (auto power on switch)
	USB	2* USB2.0 port, 2* USB3.0 port
	SIM	1* SIM slot,3G/4G module
Rear I/O Port	Display port	1*HD OUTPUT2.0 port (4096x2304@60Hz) , 1* DP port (4096x2304@60Hz)
	LAN	2* RJ45 LAN port, RTL8111HS Gigabit Ethernet, support WOL / PXE function
	USB	2* USB2.0 port, 2* USB3.0 port
	COM	2* RS232 DB9 COM port, support RS485/232 switchable, the 9th pin charged function
	Audio	1* Line out port, 1* MIC port, onboard ALC662 6 channel high fidelity audio controller
	Power Supply	1* DC power port, supply DC 12V power input
Storage	SATA	1*2.5" SATA HDD expansion
	M.2	1* M.2 slot, M.2 2280 NVME PCIe4/SATA adaptive standard SSD
Expansion	Mini PCIE	1* Mini-PCIE slot, support 4G module
	M.2	1* M.2 slot, support WIFI module
OS Support	Microsoft	Windows 10, 64bit(not include OS code)
	Linux	Ubuntu
	Watch Dog	Support hardware reset function(L256, 0~255 seconds)
Power Supply	Power Type	External power adaptor
	Voltage Input	DC 12V
	Power output	AC TO DC、36W / 60W (optional)
Environment	Operating Temp.	-10℃ ~ 60℃
	Storage Temp.	-20℃ ~ 70℃
	Relative Humidity	5%-95% relative humidity, non-condensing
	Working Vibration	0.5g rms/5-500HZ/random/operating



NANO Mini PC Barebone

All product specifications are subject to change without prior notice

## Dimension Drawing



### Front Panel I/O View



### Rear Panel I/O View



## Order Information

No.	Model	Processor	Motherboard	Memory	GPIO	LAN	COM	HD OUTPUT	VGA	DP	USB2.0	USB3.0	SIM	power-input
1	N8250Z-HD V1.0 (5205U)	Celeron 5205U/ 1.9GHz	N10_C322 D	2*DDR4	N/A	2*RTL8111HS	2	1	N/A	1	4	4	1	DC 12V
2	N8250Z-HD V1.0 (10210U)	I5 10210U/1.6GHz	N100	2*DDR4	N/A	2*RTL8111H	2	1	N/A	1	4	4	1	DC 12V